

LARGE IC CUSHION



8000 - 15500 LBS.

SPECIFICATIONS



8FGC35U-70U

CLASS
4

INTERNAL COMBUSTION ENGINE CUSHION TIRE

ToyotaForklift.com

LARGE IC CUSHION

CAPACITY

8000 - 15500 LBS.

WHEELBASE

61.8 - 74.2 IN.

LOAD CENTER

24 IN.

INDUSTRIES



Distribution



Factory



General
Manufacturing



General
Warehousing



Lumber



Paper



Retail

STANDARD FEATURES

DURABILITY

- Control Area Network (CAN-bus) communication
- Fully stamped steel side panels
- Full-floating front axle
- Moisture-resistant electric connectors
- Limited free-lift 2-stage mast (V)
- High cooling capacity radiator
- Low-maintenance battery
- Large-capacity engine-cooling fan
- 8" cyclone air cleaner
- Plate-iron front fenders
- Anti-restart ignition key switch
- Stamped steel engine hood
- External hydraulic oil cooler
- Radiator screen
- Tilt cylinder boots

SUPPORT

- System of Active Stability™ (SAS)
- Operator Presence Sensing System (OPSS)
- Bolt-on overhead guard
- Key lowering interlock
- Electric horn
- Neutral start safety switch
- Asbestos-free components
- Orange forks
- LED headlights
- Key off/headlight off system
- Speed control

PERFORMANCE

- EPA/CARB-certified engine
- UL approved model type "LP"
- Toyota 4-cylinder, 3.7 liter, OHV engine (1FS)
- Distributorless ignition system
- Alternator with built-in regulator (70A)
- Automatic transmission with oil cooler
- Full-floating powertrain
- Electric shift control
- Treaded cushion tires (front & rear)
- LCD multi-function display – includes:
 - Data log, fuel, and operation information with QR code output
 - Master warning, wheel, direction, and mast tilt indicators
 - Various hours meters
 - Engine coolant temperature gauge
- Fuel gauge (excluding LP)
- Check engine light
- Engine oil pressure warning light
- OPSS activation light
- Parking brake indicator
- SAS/OPSS warning light

ERGONOMICS

- 11.8"-dia. two-spoke steering wheel
- Load-sensing power steering
- Cowl-mounted hydraulic control levers with rubber boot covers
- Double-action parking brake (hand)
- 12"-long dual operator assist grips
- Low, wide entry steps
- Oversized cup holder
- Low-profile front cowl
- Vinyl 4-way adjustable full-suspension seat
- Heavy-duty non-slip floor mat
- Non-cinching seatbelt
- Integrated headlight & turn signal lever

SERVICEABILITY

- Easy-access, no tools required floorboard
- Engine hood assist damper with lock device
- Air cleaner discharge valve
- Easy-lift engine hood with wide 75° opening
- Easy access to common service items such as filter & dipsticks
- Engine protection system

OPTIONAL EQUIPMENT

- Hydraulic accumulator
- Intelli-Shift
- Mini-lever controls with ErgoShift
- Synchronized steering
- Combination brake & inching pedal
- EZ Pedal (foot directional control)
- Steering wheel with knob
- Strobe lights
- LED front combination lights
- LED rear combination lights
- LED rear work light
- LED reverse-activated rear work light
- Cloth 4-way adjustable full-suspension seat
- Swivel seat
- Orange seatbelt
- Box fin radiator
- Fire extinguisher
- 2-stage (FV) & 3-stage (FSV) full free-lift masts
- Hang-on sidershifters
- Polished & tapered forks
- Pre-cleaner for air intake
- Rearview mirrors
- Rear assist grip with horn button
- Back up alarms
- 12-volt power supply
- 5-way hydraulics
- Boxcar Special counterweight
- Paper Roll Special counterweight
- Hydraulic valve for clamping attachments
- Integral sidershifter
- Integral sidershifting fork positioner
- Forward and reverse facing blue light
- Red zone light
- Seatbelt interlock
- Premium ventilation package
- Polycarbonate overhead guard cover

Please contact your local, authorized Toyota Dealer for a complete list of available options.



TRUCK SPECIFICATIONS

MODEL NUMBERS

GENERAL DATA				8FGC35U	8FGC45U	8FGC55U	
Load Capacity		lb (kg)		8000 (3500)	10000 (4500)	12000 (5500)	
Power Type				LPG	LPG	LPG	
Operator Position				Seated Rider	Seated Rider	Seated Rider	
Tire Type		Front / Rear		Cushion / Cushion	Cushion / Cushion	Cushion / Cushion	
Wheels (x = driven)		Front / Rear		2x / 2	2x / 2	2x / 2	
EXTERIOR DIMENSIONS				8FGC35U	8FGC45U	8FGC55U	
A	Maximum Fork Height (top of forks)		in (mm)	120 (3050)	120 (3050)	120.5 (3060)	
B	Free-Lift (top of forks)		in (mm)	4.3 (110)	4.3 (110)	4.7 (120)	
C	Fork Size (T x W x L)		in (mm)	2 x 6 x 42 (50 x 150 x 1070)	2 x 6 x 42 (50 x 150 x 1070)	2.4 x 6 x 48 (60 x 150 x 1220)	
D	Fork Spread Max. / Min. (outer edge to edge)		in (mm)	45.7 / 11.8 (1160 / 300)	45.7 / 11.8 (1160 / 300)	46.1 / 11.8 (1170 / 300)	
E	Tilt Range (forward / backward)		deg	5 / 6	5 / 6	5 / 6	
F	Length to Fork Face		in (mm)	103.3 (2625)	107.1 (2720)	112.6 (2860)	
G	Overall Width		in (mm)	50 (1270)	55.9 (1420)	55.9 (1420)	
H	Mast Lowered Height		in (mm)	81.1 (2060)	83 (2110)	86.6 (2200)	
I	Mast Extended Height (top of load backrest)		in (mm)	168.1 (4270)	168.1 (4270)	174.6 (4435)	
J	Overhead Guard Height		in (mm)	83.5 (2120)	83.5 (2120)	83.5 (2120)	
K	Turning Radius (inside / outside)		in (mm)	90 (2280)	94 (2390)	99.5 (2530)	
L	Load Distance ¹		in (mm)	17.7 (450)	18.1 (460)	18.5 (470)	
M	Basic Right-Angle Stacking Aisle Width		in (mm)	107.5 (2730)	112 (2850)	118 (3000)	
PERFORMANCE DATA				8FGC35U	8FGC45U	8FGC55U	
Speeds	Maximum Travel (forward / reverse)	Full Load	mph (km/h)	11.8 (19.0) / 11.8 (19.0)	11.8 (19.0) / 11.8 (19.0)	13.0 (21.0) / 13.0 (21.0)	
		No Load	mph (km/h)	11.8 (19.0) / 11.8 (19.0)	11.8 (19.0) / 11.8 (19.0)	13.0 (21.0) / 13.0 (21.0)	
	Lifting	Full Load	fpm (mm/sec)	100 (510)	98 (500)	91 (460)	
		No Load	fpm (mm/sec)	108 (550)	100 (510)	94 (480)	
	Lowering	Full Load	fpm (mm/sec)	104 (530)	106 (540)	106 (540)	
		No Load	fpm (mm/sec)	94 (480)	96 (490)	96 (490)	
Drawbar Pull	Maximum	Full Load	lb (kg)	9900 (4500)	9900 (4500)	9900 (4500)	
		No Load	lb (kg)	2580 (1170)	2460 (1110)	3160 (1430)	
Gradeability	1 mph (1.5 km/h) ²	Full Load	%	37	30	25	
		Maximum ²	Full Load	%	47	37	34
			No Load	%	19	15	18
TRUCK WEIGHTS				8FGC35U	8FGC45U	8FGC55U	
Total Weight		lb (kg)		12640 (5730)	14510 (6580)	16250 (7370)	
Weight Distribution	Full Load (front / rear)		lb (kg)	17990 (7920) / 2650 (1310)	21240 (9550) / 3270 (1530)	24790 (11310) / 3460 (1560)	
	No Load (front / rear)		lb (kg)	4590 (2080) / 8050 (3650)	4430 (2010) / 10080 (4570)	5560 (2520) / 10690 (4850)	
TIRES				8FGC35U	8FGC45U	8FGC55U	
Tires	Number (front / rear)			2 / 2	2 / 2	2 / 2	
	Size	Front		22 x 9 x 16	22 x 12 x 16	22 x 12 x 16	
		Rear		18 x 6 x 12-1/8	18 x 7 x 12-1/8	18 x 8 x 12-1/8	
Wheelbase		in (mm)		61.8 (1570)	61.8 (1570)	70.5 (1790)	
Tread Width (front / rear)		in (mm)		40.9 (1040) / 41.4 (1050)	43.9 (1115) / 42.4 (1080)	43.9 (1115) / 43.5 (1105)	
Underclearance (full load)	Minimum with Load		in (mm)	3.3 (85)	3.3 (85)	3.3 (85)	
	Center of Wheelbase		in (mm)	5.7 (145)	5.7 (145)	5.7 (145)	
Brake	Service (foot) / Parking			Hydraulic / Hand	Hydraulic / Hand	Hydraulic / Hand	
POWER SYSTEM				8FGC35U	8FGC45U	8FGC55U	
Battery (5-hour rating)		V / Ah		12 / 48	12 / 48	12 / 48	
Internal Combustion Engine	Make / Model			TOYOTA 1FS	TOYOTA 1FS	TOYOTA 1FS	
	Rated Horsepower @ rpm	SAE HP		84 @ 2350	84 @ 2350	89 @ 2550	
		(kW)		(63 @ 2350)	(63 @ 2350)	(66 @ 2550)	
	Rated Torque @ rpm	SAE ft-lb		210 @ 1200 - 1400	210 @ 1200 - 1400	210 @ 1200 - 1400	
		(N-m)		(290 @ 1200 - 1400)	(290 @ 1200 - 1400)	(290 @ 1200 - 1400)	
	Number of Cylinders				4	4	4
Piston Displacement		cu in (cc)		224 (3685)	224 (3685)	224 (3685)	
Fuel Tank Capacity		US gal (liter)		—	—	—	
Transmission	Type			Automatic	Automatic	Automatic	
	Speeds (forward / reverse)			1 / 1	1 / 1	1 / 1	
Auxiliary Hydraulic Function Specifications (for attachments) ³	Max. Operating Pressure		psi (kg/cm ²)	2630 (185)	2630 (185)	2630 (185)	
	Max. Flow Rate		gpm (lpm)	33.8 (128)	33.8 (128)	33.8 (128)	

¹ Centerline of front axle to front face of forks.

² Computed values. Performance of LPG fuel system may be less than performance of standard model shown.

³ Values taken at Hydraulic Control Valve. Does not take in to consideration losses through mast plumbing (hosing, fittings, QDs, etc.).

MODEL NUMBERS

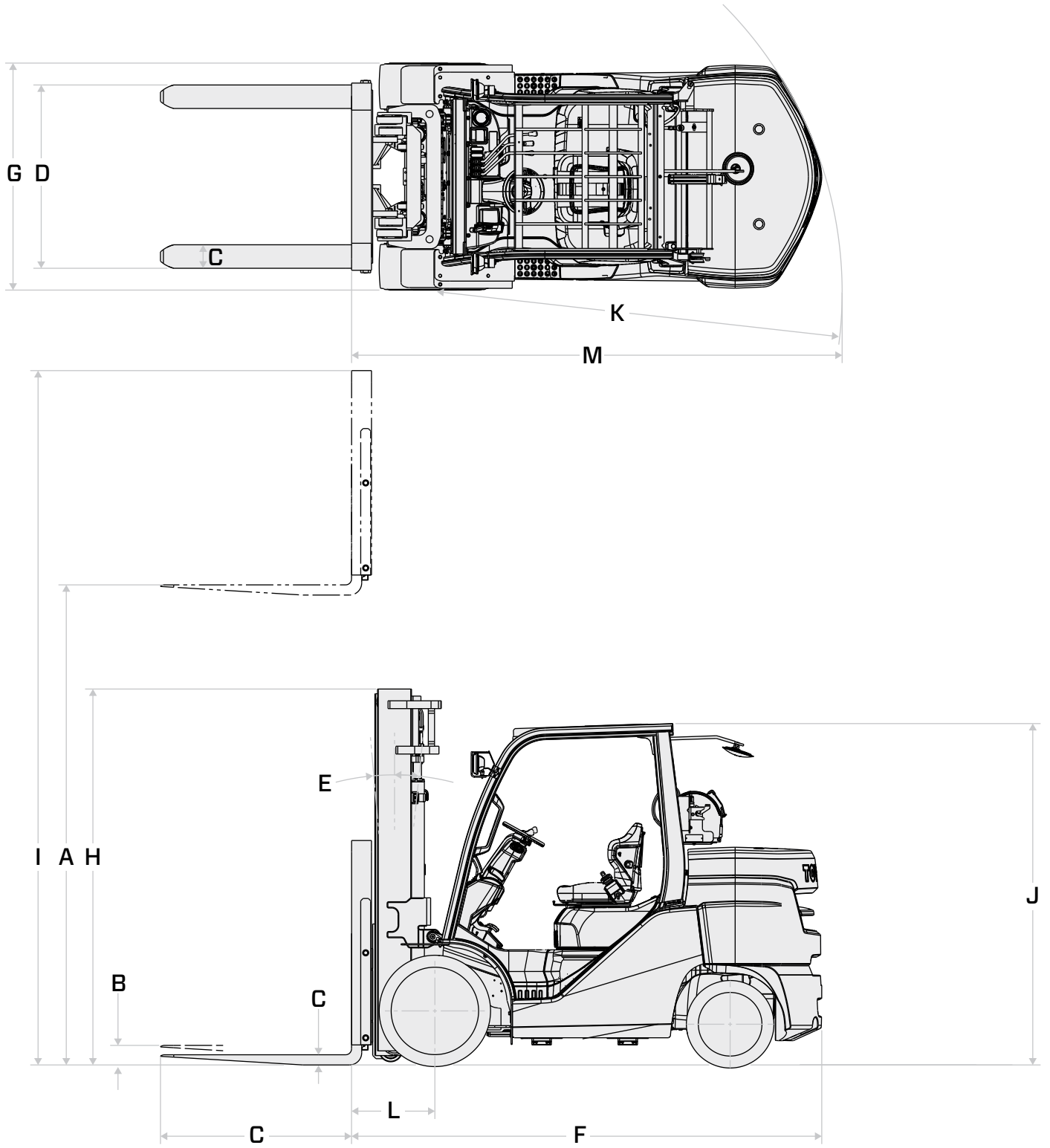
GENERAL DATA				8FGC60U	8FGC70U
Load Capacity		lb (kg)		13500 (6000)	15500 (7000)
Power Type				LPG	LPG
Operator Position				Seated Rider	Seated Rider
Tire Type		Front / Rear		Cushion / Cushion	Cushion / Cushion
Wheels (x = driven)		Front / Rear		2x / 2	2x / 2
EXTERIOR DIMENSIONS				8FGC60U	8FGC70U
A	Maximum Fork Height (top of forks)	in (mm)		120.5 (3060)	120.6 (3065)
B	Free-Lift (top of forks)	in (mm)		4.9 (125)	4.9 (125)
C	Fork Size (T x W x L)	in (mm)		2.4 x 6 x 48 (60 x 150 x 1220)	2.6 x 6 x 48 (65 x 150 x 1220)
D	Fork Spread Max. / Min. (outer edge to edge)	in (mm)		46.1 / 11.8 (1170 / 300)	46.1 / 11.8 (1170 / 300)
E	Tilt Range (forward / backward)	deg		5 / 6	5 / 6
F	Length to Fork Face	in (mm)		118.1 (3000)	118.1 (3000)
G	Overall Width	in (mm)		57.1 (1450)	57.1 (1450)
H	Mast Lowered Height	in (mm)		94.5 (2400)	94.5 (2400)
I	Mast Extended Height (top of load backrest)	in (mm)		174.6 (4435)	174.6 (4435)
J	Overhead Guard Height	in (mm)		86 (2185)	86 (2185)
K	Turning Radius (inside / outside)	in (mm)		102 (2590)	102 (2590)
L	Load Distance ¹	in (mm)		20.9 (530)	20.9 (530)
M	Basic Right-Angle Stacking Aisle Width	in (mm)		123 (3120)	123 (3120)
PERFORMANCE DATA				8FGC60U	8FGC70U
Speeds	Maximum Travel (forward / reverse)	Full Load	mph (km/h)	13.0 (21.0) / 13.0 (21.0)	13.0 (21.0) / 13.0 (21.0)
		No Load	mph (km/h)	13.0 (21.0) / 13.0 (21.0)	13.0 (21.0) / 13.0 (21.0)
	Lifting	Full Load	fpm (mm/sec)	81 (410)	81 (410)
		No Load	fpm (mm/sec)	87 (440)	87 (440)
	Lowering	Full Load	fpm (mm/sec)	104 (530)	104 (530)
		No Load	fpm (mm/sec)	94 (480)	94 (480)
Drawbar Pull	Maximum	Full Load	lb (kg)	9900 (4500)	9900 (4500)
		No Load	lb (kg)	4160 (1890)	4100 (1860)
Gradeability	1 mph (1.5km/h) ²	Full Load	%	23	20
		Full Load	%	31	28
	Maximum ²	No Load	%	20	18
TRUCK WEIGHTS				8FGC60U	8FGC70U
Total Weight		lb (kg)		19070 (8650)	20490 (9290)
Weight Distribution	Full Load (front / rear)		lb (kg)	28970 (12910) / 3600 (1740)	32150 (14500) / 3840 (1790)
	No Load (front / rear)		lb (kg)	7300 (3310) / 11770 (5340)	7260 (3290) / 13230 (6000)
TIRES				8FGC60U	8FGC70U
Tires	Number (front / rear)			36193	36193
	Size	Front		28 x 12 x 22	28 x 12 x 22
		Rear		22 x 8 x 16	22 x 8 x 16
Wheelbase		in (mm)		74.2 (1885)	74.2 (1885)
Tread Width (front / rear)		in (mm)		45.1 (1145) / 42.9 (1090)	45.1 (1145) / 42.9 (1090)
Underclearance (full load)	Minimum with Load		in (mm)	3.3 (85)	3.3 (85)
	Center of Wheelbase		in (mm)	7.1 (180)	7.1 (180)
Brake	Service (foot) / Parking			Hydraulic / Hand	Hydraulic / Hand
POWER SYSTEM				8FGC60U	8FGC70U
Battery (5-hour rating)		V / Ah		12 / 48	12 / 48
Internal Combustion Engine	Make / Model			TOYOTA 1FS	TOYOTA 1FS
	Rated Horsepower @ rpm	SAE HP		89 @ 2550	89 @ 2550
		(kW)		(66 @ 2550)	(66 @ 2550)
	Rated Torque @ rpm	SAE ft-lb		210 @ 1200 - 1400	210 @ 1200 - 1400
		(N-m)		(290 @ 1200 - 1400)	(290 @ 1200 - 1400)
	Number of Cylinders				4
Piston Displacement		cu in (cc)		224 (3685)	224 (3685)
Fuel Tank Capacity		US gal (liter)		—	—
Transmission	Type			Automatic	Automatic
	Speeds (forward / reverse)			1 / 1	1 / 1
Auxiliary Hydraulic Function Specifications (for attachments) ³	Max. Operating Pressure		psi (kg/cm ²)	2990 (210)	2990 (210)
	Max. Flow Rate		gpm (lpm)	33.8 (128)	33.8 (128)

¹ Centerline of front axle to front face of forks.

² Computed values. Performance of LPG fuel system may be less than performance of standard model shown.

³ Values taken at Hydraulic Control Valve. Does not take in to consideration losses through mast plumbing (hosing, fittings, QDs, etc.).

EXTERIOR DIMENSIONS





MAST SPECIFICATIONS

MAST TYPE	MAXIMUM FORK HEIGHT (TOP OF FORKS)	OVERALL HEIGHT			FREE-LIFT		TILT RANGE		LOAD CAPACITY AT 24 IN. (610 MM) LOAD CENTER	
		LOWERED	EXTENDED		WITHOUT LOAD BACKREST	WITH STANDARD LOAD BACKREST	FWD	BWD	STANDARD TREAD	WIDE TREAD
			WITHOUT LOAD BACKREST	WITH STANDARD LOAD BACKREST ¹						
in (mm)										
8FGC35U										
Wide Visible (V)	120 (3050)	81.1 (2060)	149.6 (3800)	168.1 (4270)	4.3 (110)	4.3 (110)	5	6	8000 (3500)	8000 (3500)
	132 (3350)	88.2 (2240)	161.4 (4100)	179.9 (4570)	4.3 (110)	4.3 (110)	5	6	8000 (3500)	8000 (3500)
	147.5 (3750)	96.1 (2440)	177.2 (4500)	195.7 (4970)	4.3 (110)	4.3 (110)	5	6	8000 (3500)	8000 (3500)
Full Free-Lift 2-Stage (FV)	120 (3050)	81.1 (2060)	150.8 (3830)	168.1 (4270)	50.4 (1280)	33.1 (840)	5	6	8000 (3500)	8000 (3500)
	132 (3350)	88.2 (2240)	162.6 (4130)	179.9 (4570)	57.5 (1460)	40.2 (1020)	5	6	8000 (3500)	8000 (3500)
Full Free-Lift 3-Stage (FSV) ²	159.5 (4050)	81.1 (2060)	190.9 (4850)	207.5 (5270)	49.6 (1260)	33.1 (840)	5	5	8000 (3500)	8000 (3500)
	171.5 (4350)	83.1 (2110)	202.8 (5150)	219.3 (5570)	51.6 (1310)	35.0 (890)	5	5	8000 (3500)	8000 (3500)
	187 (4750)	88.2 (2240)	218.5 (5550)	235.0 (5970)	56.7 (1440)	40.2 (1020)	5	5	8000 (3500)	8000 (3500)
	199 (5050)	92.1 (2340)	230.3 (5850)	246.9 (6270)	60.6 (1540)	44.1 (1120)	5	5	7730 (3500)	7730 (3500)
	218.5 (5550)	98.0 (2490)	250.0 (6350)	266.5 (6770)	66.5 (1690)	50.0 (1270)	5	5	7470 (3400)	7470 (3400)
238 (6050)	105.9 (2690)	269.7 (6850)	286.2 (7270)	74.4 (1890)	57.9 (1470)	5	5	N/A	6500 (2950)	

MAST TYPE	MAXIMUM FORK HEIGHT (TOP OF FORKS)	OVERALL HEIGHT			FREE-LIFT		TILT RANGE		LOAD CAPACITY AT 24 IN. (610 MM) LOAD CENTER
		LOWERED	EXTENDED		WITHOUT LOAD BACKREST	WITH STANDARD LOAD BACKREST	FWD	BWD	WIDE TREAD
			WITHOUT LOAD BACKREST	WITH STANDARD LOAD BACKREST ¹					lb (kg)
in (mm)									
8FGC45U									
Wide Visible (V)	120 (3050)	83.1 (2110)	152.0 (3860)	168.1 (4270)	4.3 (110)	4.3 (110)	5	6	10000 (4500)
	132 (3350)	92.1 (2340)	163.8 (4160)	179.9 (4570)	4.3 (110)	4.3 (110)	5	6	10000 (4500)
	147.5 (3750)	100.0 (2540)	179.5 (4560)	195.7 (4970)	4.3 (110)	4.3 (110)	5	6	10000 (4500)
Full Free-Lift 2-Stage (FV)	120 (3050)	83.1 (2110)	152.2 (3865)	168.1 (4270)	51.0 (1295)	35.0 (890)	5	6	10000 (4500)
	132 (3350)	92.1 (2340)	164.0 (4165)	179.9 (4570)	60.0 (1525)	44.1 (1120)	5	6	10000 (4500)
Full Free-Lift 3-Stage (FSV)	159.5 (4050)	81.1 (2060)	191.5 (4865)	207.5 (5270)	49.0 (1245)	33.1 (840)	5	5	10000 (4500)
	171.5 (4350)	85.6 (2175)	203.4 (5165)	219.3 (5570)	53.5 (1360)	37.6 (955)	5	5	10000 (4500)
	187 (4750)	92.1 (2340)	219.1 (5565)	235.0 (5970)	60.0 (1525)	44.1 (1120)	5	5	10000 (4500)
	199 (5050)	98.0 (2490)	230.9 (5865)	246.9 (6270)	65.9 (1675)	50.0 (1270)	5	5	10000 (4500)
	218.5 (5550)	105.9 (2690)	250.6 (6365)	266.5 (6770)	73.8 (1875)	57.9 (1470)	5	5	9650 (4370)
238 (6050)	115.8 (2940)	270.3 (6865)	286.2 (7270)	83.7 (2125)	67.7 (1720)	5	5	8820 (4000)	

¹ Height of standard load backrest is 48" (1220 mm).
² 238 FSV requires wide tread.

MAST TYPE	MAXIMUM FORK HEIGHT (TOP OF FORKS)	OVERALL HEIGHT			FREE-LIFT		TILT RANGE		LOAD CAPACITY AT 24 IN. (610 MM) LOAD CENTER
		LOWERED	EXTENDED		WITHOUT LOAD BACKREST	WITH STANDARD LOAD BACKREST	FWD	BWD	WIDE TREAD
			WITHOUT LOAD BACKREST	WITH STANDARD LOAD BACKREST ¹					
in (mm)									
8FGC55U									
Wide Visible (V)	120.5 (3060)	86.6 (2200)	152.8 (3880)	174.6 (4435)	4.7 (120)	4.7 (120)	5	6	12000 (5500)
	132.5 (3360)	92.5 (2350)	164.6 (4180)	186.4 (4735)	4.7 (120)	4.7 (120)	5	6	12000 (5500)
	148 (3760)	102.4 (2600)	180.3 (4580)	202.2 (5135)	4.7 (120)	4.7 (120)	5	6	12000 (5500)
Full Free-Lift 3-Stage (FSV)	160 (4060)	81.1 (2060)	191.9 (4875)	214.0 (5435)	45.7 (1160)	27.2 (690)	5	6	12000 (5500)
	171.5 (4360)	85.6 (2175)	203.7 (5175)	225.8 (5735)	50.2 (1275)	31.7 (805)	5	6	12000 (5500)
	187.5 (4760)	92.1 (2340)	219.4 (5573)	241.5 (6135)	56.7 (1440)	38.2 (970)	5	6	12000 (5500)
	199 (5060)	98.0 (2490)	231.3 (5875)	253.4 (6435)	62.6 (1590)	44.1 (1120)	5	6	11800 (5350)
	211 (5360)	99.6 (2530)	243.1 (6175)	265.2 (6735)	64.2 (1630)	45.7 (1160)	5	6	11500 (5200)
	219 (5560)	102.4 (2600)	251.0 (6375)	273.0 (6935)	66.9 (1700)	48.4 (1230)	5	6	11500 (5200)
238.5 (6060)	115.8 (2940)	270.7 (6875)	292.7 (7435)	80.3 (2040)	61.8 (1570)	5	6	11150 (5050)	

MAST TYPE	MAXIMUM FORK HEIGHT (TOP OF FORKS)	OVERALL HEIGHT			FREE-LIFT		TILT RANGE		LOAD CAPACITY AT 24 IN. (610 MM) LOAD CENTER
		LOWERED	EXTENDED		WITHOUT LOAD BACKREST	WITH STANDARD LOAD BACKREST	FWD	BWD	WIDE TREAD
			WITHOUT LOAD BACKREST	WITH STANDARD LOAD BACKREST ¹					
in (mm)									
8FGC60U									
Wide Visible (V)	120.5 (3065)	94.5 (2400)	154.3 (3920)	174.6 (4435)	4.9 (125)	4.9 (125)	5	6	13500 (6000)
	132.5 (3365)	100.4 (2550)	166.1 (4220)	186.4 (4735)	4.9 (125)	4.9 (125)	5	6	13500 (6000)
	148 (3765)	108.3 (2750)	181.9 (4620)	202.2 (5135)	4.9 (125)	4.9 (125)	5	6	13500 (6000)
Full Free-Lift 3-Stage (FSV)	160 (4065)	90.6 (2300)	194.5 (4940)	214.0 (5435)	56.1 (1425)	36.6 (930)	5	6	13500 (6000)
	172 (4365)	94.5 (2400)	206.3 (5240)	225.8 (5735)	60.0 (1525)	40.6 (1030)	5	6	13500 (6000)
	187.5 (4765)	98.0 (2490)	222.1 (5640)	241.5 (6135)	63.6 (1615)	44.1 (1120)	5	6	13300 (6000)
	199.5 (5065)	108.3 (2750)	233.9 (5940)	253.4 (6435)	73.8 (1875)	54.3 (1380)	5	6	13100 (5940)
	219 (5565)	118.1 (3000)	253.5 (6440)	273.0 (6935)	83.7 (2125)	64.2 (1630)	5	6	12750 (5780)
	239 (6065)	120.1 (3050)	273.2 (6940)	292.7 (7435)	85.6 (2175)	66.1 (1680)	5	6	12350 (5600)

¹ Height of standard load backrest is 54" (1370 mm).

MAST SPECIFICATIONS

MAST TYPE	MAXIMUM FORK HEIGHT (TOP OF FORKS) in (mm)	OVERALL HEIGHT				FREE-LIFT		TILT RANGE		LOAD CAPACITY AT 24 IN. (610 MM) LOAD CENTER
		LOWERED in (mm)	EXTENDED		WITHOUT LOAD BACKREST in (mm)	WITH STANDARD LOAD BACKREST in (mm)	FWD deg	BWD deg	WIDE TREAD lb (kg)	
			WITHOUT LOAD BACKREST in (mm)	WITH STANDARD LOAD BACKREST ¹ in (mm)						
8FGC70U										
Wide Visible (V)	120.6 (3065)	94.5 (2400)	154.3 (3920)	174.6 (4435)	4.9 (125)	4.9 (125)	5	6	15500 (7000)	
	132.5 (3365)	100.4 (2550)	166.1 (4220)	186.4 (4735)	4.9 (125)	4.9 (125)	5	6	15500 (7000)	
	148 (3765)	108.3 (2750)	181.9 (4620)	202.2 (5135)	4.9 (125)	4.9 (125)	5	6	15500 (7000)	
Full Free-Lift 3-Stage (FSV)	160 (4065)	90.6 (2300)	194.5 (4940)	214.0 (5435)	56.1 (1425)	36.6 (930)	5	6	15350 (6960)	
	172 (4365)	94.5 (2400)	206.3 (5240)	225.8 (5735)	60.0 (1525)	40.6 (1030)	5	6	15350 (6960)	
	187.5 (4765)	98.0 (2490)	222.1 (5640)	241.5 (6135)	63.6 (1615)	44.1 (1120)	5	6	15000 (6800)	
	199.5 (5065)	108.3 (2750)	233.9 (5940)	253.4 (6435)	73.8 (1875)	54.3 (1380)	5	6	14700 (6660)	
	219 (5565)	118.1 (3000)	253.5 (6440)	273.0 (6935)	83.7 (2125)	64.2 (1630)	5	6	14300 (6480)	
	239 (6065)	120.1 (3050)	273.2 (6940)	292.7 (7435)	85.6 (2175)	66.1 (1680)	5	6	13900 (6300)	

¹ Height of standard load backrest is 54" (1370 mm).





“I’M HERE TO MAKE SURE YOUR FORKLIFTS DON’T TAKE VACATION DAYS.”

Butch - 360 Technician, ProLift, Cincinnati, Ohio



HELP IS ALWAYS HERE WITH TOYOTA 360 SUPPORT.

The industry’s best and most comprehensive dealer network quickly delivers Toyota Certified Technicians to your work site. These specially-trained technicians can also help assess your warehouse and facility needs to recommend the right equipment for the job. And with the largest fleet of used and rental forklifts, Toyota 360 keeps your business running at full speed.

ToyotaForklift.com/360-Support



YOUR BUSINESS IS RIDING ON IT.

Some product features described herein are optional. Please consult your dealer for specifications. Details of specifications and equipment are based on information available at time of printing and may change without notice.

